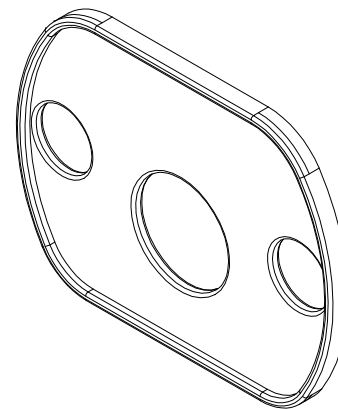
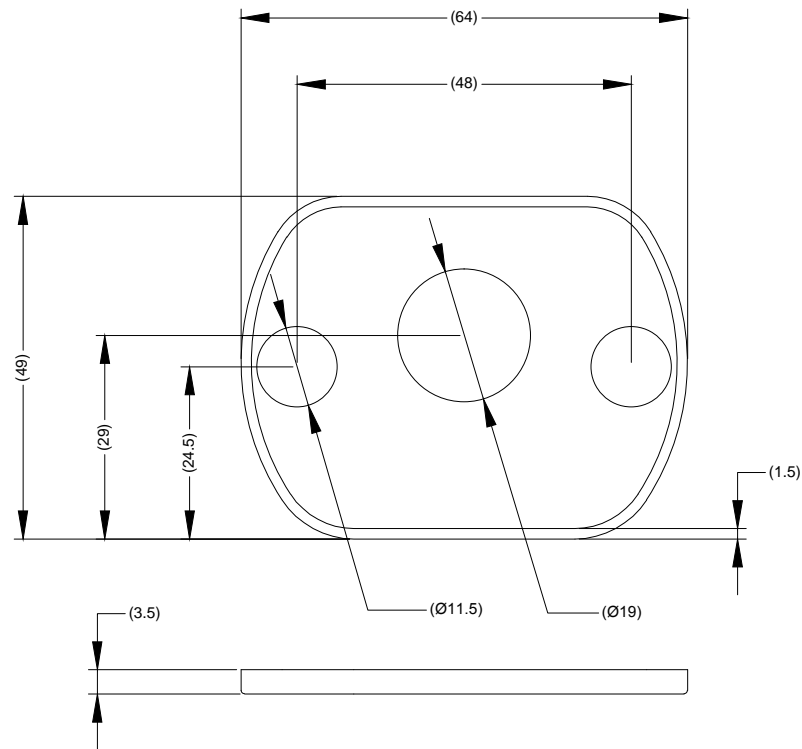


| | | | | |
|-----------------|----------|------------|-------------|---------|
| Revision Notes. | | | | |
| R1 - | | | | |
| APA: | Drawn: - | Checked: - | Approved: - | Date: - |



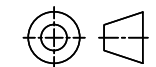
- NOTES:
 1. MATERIAL: SILICON RUBBER
 2. MATERIAL COLOUR: BLACK

PROPRIETARY NOTICE
 THIS DESIGN AND TECHNICAL INFORMATION APPEARING ON THIS DRAWING IS THE PROPERTY OF BRIGADE ELECTRONICS, AND IS DISCLOSED IN CONFIDENCE. IT IS NOT TO BE COPIED, REPRODUCED, REVEALED TO OR EXPROPRIATED BY OTHERS, EITHER IN WHOLE OR IN PART WITHOUT THE EXPRESS WRITTEN CONSENT OF BRIGADE ELECTRONICS.

Customer Approval
 I.ABDALLA 06/05/16

| | | | |
|--|-------------------------|-----------------------|--------------------------|
| Assembly Pl Approval Y.J.LEE (04/05/16) | Approved by B.CHILDS | Checked by R.BATES | Drawn by D.RICHARDSON |
|--|-------------------------|-----------------------|--------------------------|

Angle of Projection



Third Angle

| | | | |
|-------------|--------------|----------------------|-------------------|
| Units mm | Scale N/A | Released 06/05/16 | Assembly Ref - |
|-------------|--------------|----------------------|-------------------|

| | |
|--------------------|--------------------|
| Status RELEASED | BN360-100C-MG(BLK) |
|--------------------|--------------------|

| | |
|-----------------|-----------------|
| Part No 5096 | BE-003361-00-15 |
|-----------------|-----------------|

BRIGADE[®]
 www.brigade-electronics.com